

**CS7****6.5" COAXIAL  
CEILING SPEAKER**ALUMINIUM  
MAGNETIC  
GRILLELIGHT  
NEODYMIUM  
HF UNIT100V LINE USE  
WITH OPTIONAL  
TF-100

The CS7 is a compact and easy to install solution, delivering excellent performance and reliability for the most demanding applications.

Its optimised frequency response allows clear communication, while the stylish design, including a new magnetic grille, lends itself to discreet integration with any decor.

## KEY FEATURES

### TRANSDUCERS TECHNOLOGY

Two-way full range passive speaker system comprising a direct radiating coaxial 1-inch voice coil, ferrite magnet, polypropylene cone 6.5" loudspeaker and a 1-inch voice coil diameter, titanium diaphragm neodymium magnet tweeter.

### POWER & CONTROL

60 W continuous power in musical program.

An accurate passive crossover achieves an optimum performance.

Pushing terminals.

100 V line transformer (TF-100) available (optional accessory).

### DESIGN & ACCESSORIES

Aluminium magnet grille to avoid oxidation under unfavourable environmental conditions.

Technical ABS case.

**CS7****6.5" COAXIAL  
CEILING SPEAKER**

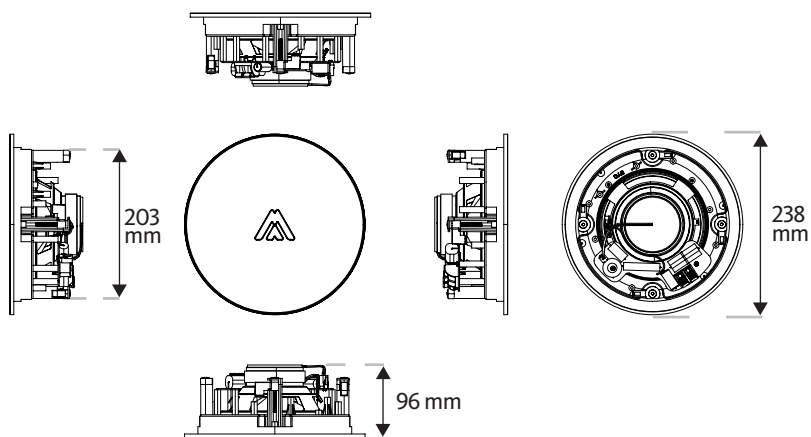
FRONT VIEW



REAR VIEW

**TECHNICAL FEATURES**

Power (musical program)	60 W (direct) 100V Line - 5W / 10W / 20W / 40W with TF-100
Power (r.m.s)	30 W (direct)
Nominal Impedance	16Ω (direct) 100V Line - 2 kΩ / 1 kΩ / 500 Ω / 250 Ω with TF-100
SPL(1W/1m)	91 dB
Maximum SPL(continuous/1m)	109 dB
Maximum SPL(peak/1m)	112 dB
Crossover frequency	3k Hz
Frequency Response (-10dB)	60 Hz - 20 kHz
Components	LF-MF HF
	6.5" coaxial woofer (1" voice coil) 1" titanium diaphragm neodymium tweeter
Weight	1.4 Kg / 1.8 Kg (with TF-100)
Finish	Technical ABS
Dimensions (Øext / Øin / depth)	238 mm / 203 mm / 96 mm
Grille	Aluminium / Magnetic
Connectors	Pushing terminals

**CAD DRAWING SCHEME****ACCESSORIES****TF-100**

100 V line transformer  
250Ω (40W) / 500Ω (20W) / 1000Ω (10W)  
/ 2000Ω (5W)

Direct 16Ω (60W)